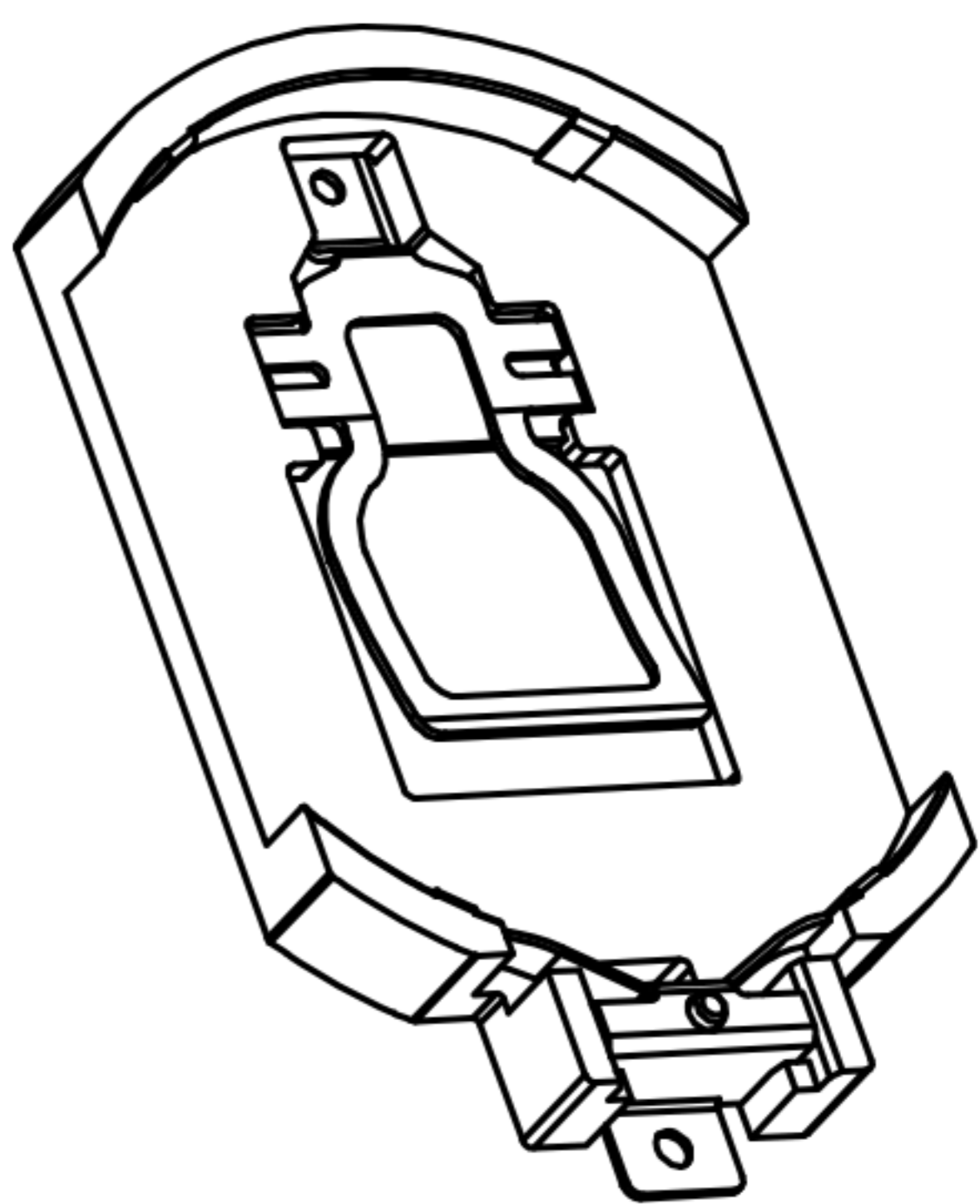


PCB Layout Diagram
Top View



NOTE:
1. MATERIAL:
a. HOUSING: PPA
b. CONTACT: PHOSPHOR BRONZE
(SURFACE PLATING: Au*u")

SEE ORDERING INFORMATION

2. ELECTRIC:
a. CONTACT RESISTANCE: 30 MILLIOHMS MAX
b. INSULATION RESISTANCE: 1000 MEGA OHMS MIN
c. DIELECTRIC VOLTAGE: 500V AC ONE SEC LEVEL
d. OPERATING TEMPERATURE: -25° C ~ +85° C

3	TERMINAL (-)	1	PHOSPHOR BRONZE, T=0.20MM	Gold Plating and Ni Under-Plating
2	TERMINAL (+)	1	PHOSPHOR BRONZE, T=0.15MM	Gold Plating and Ni Under-Plating
1	HOUSING	1	PPA	BROWN
NO.	PART NAME	Q'TY	MATERIAL	PLATING & COLOR

ECN NO.	REV.	DATE.	DESCRIPTION.	CHANGE.	CHECK.	APPRO.
	A		NEW			

APPROVALS		DATE	TITLE: 电池座 SMT			
DRAWN	ZHIWEI.CHEN	2015.07.07	PART NO.	GP07-GR2016--01	SCALE: 1:1	PROJ:
CHECKED			UNIT: mm			
APPROVALS			DRAWING NO.			
TOLERANCES ARE		30~以上 ±0.30	ANGLE	±2°		
		10~30 ±0.20				
		5~10 ±0.15				
		~ 5 ±0.10				



深圳市联丰电子有限公司
SHENZHEN LINFENG ELECTRONIC CO.,LTD