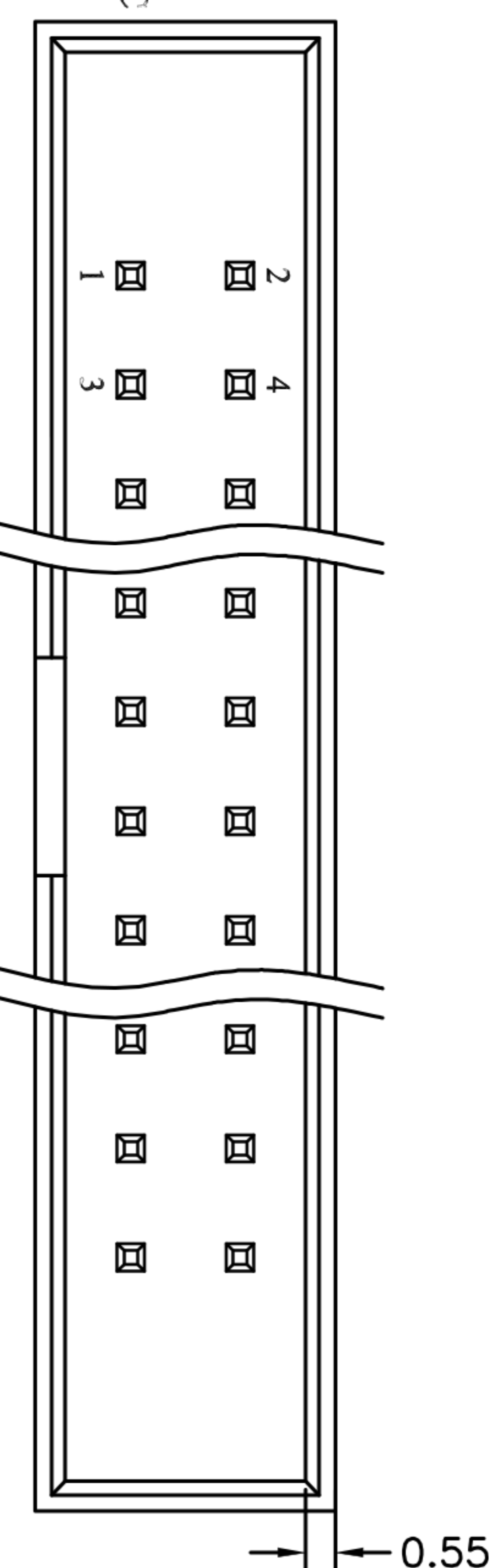


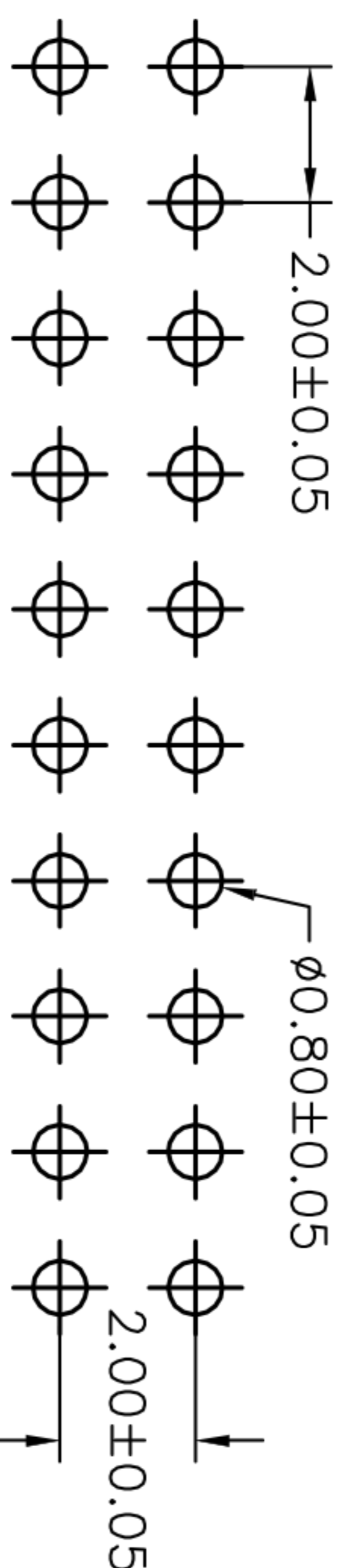
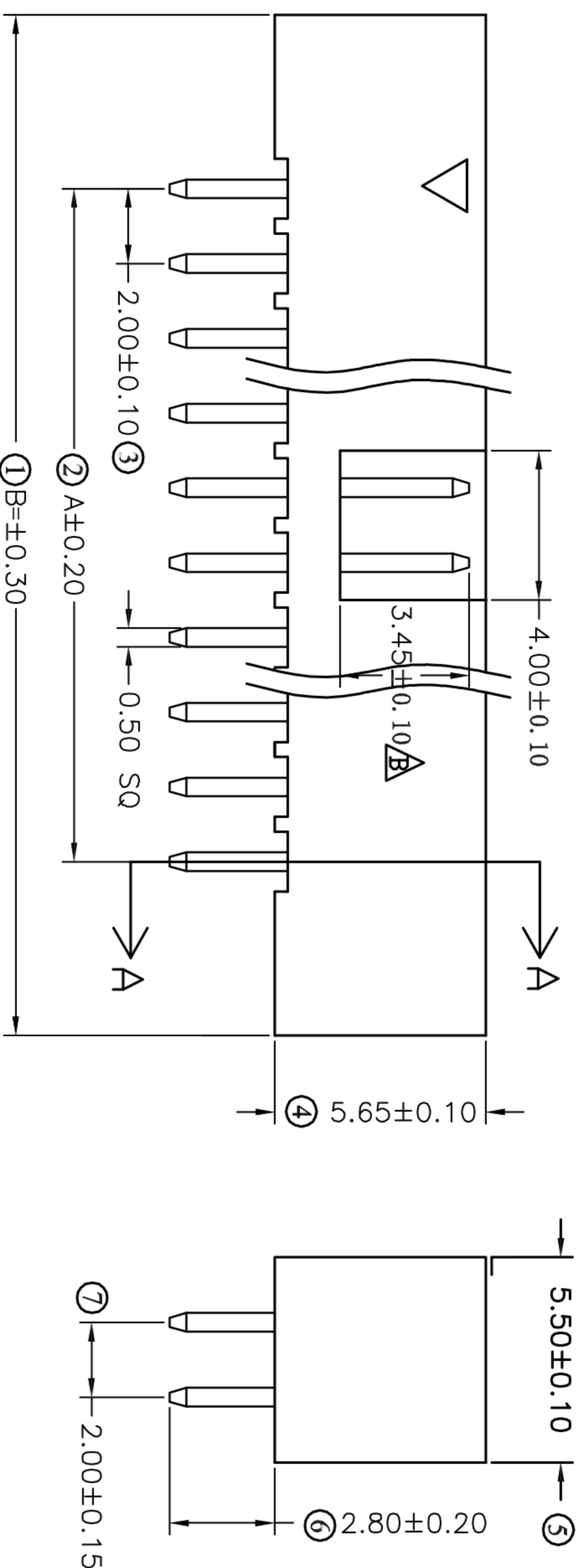
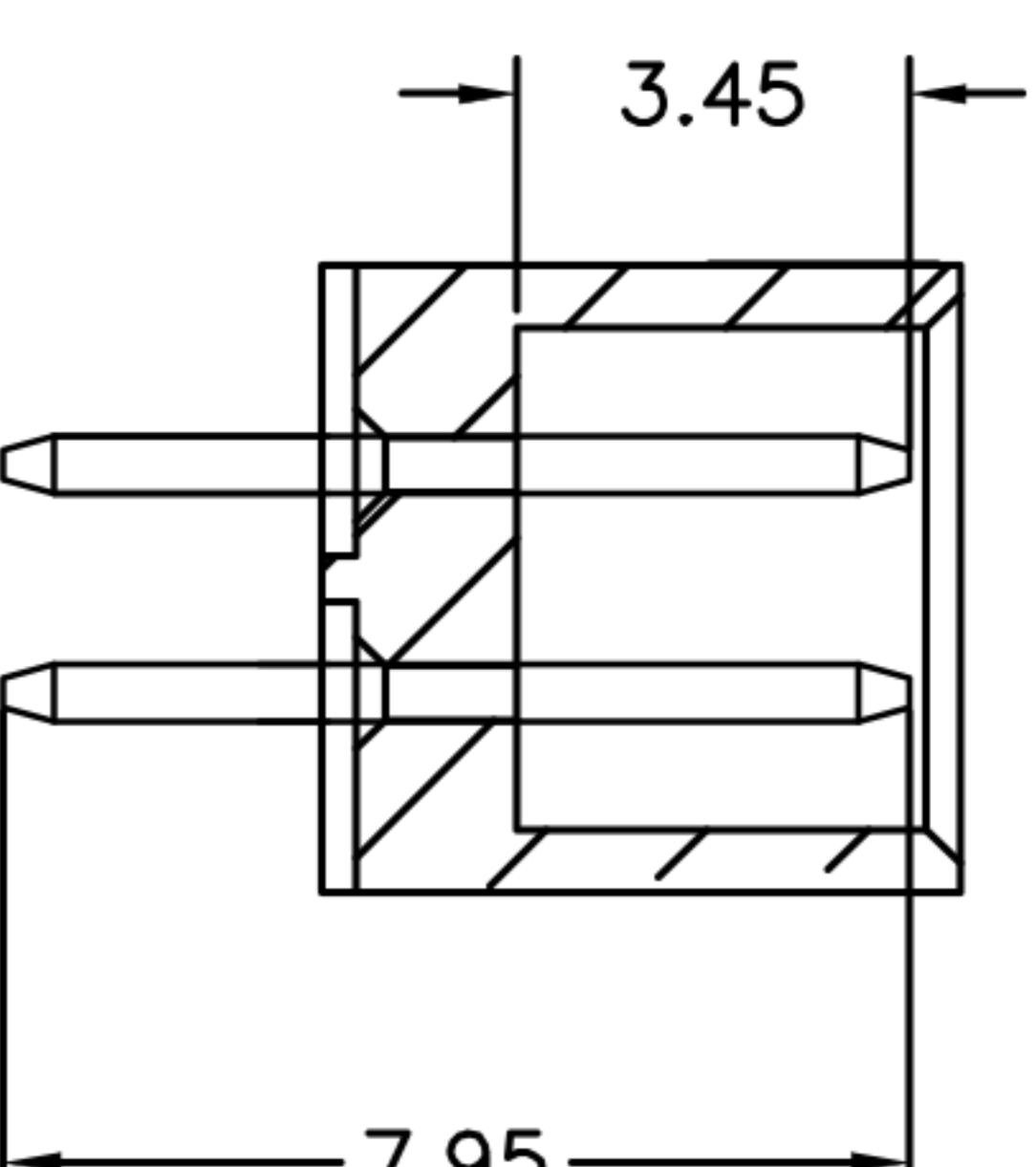
2.00*2.00mm (0.079"0.079") BOX HEADER, STRAIGHT

SPECIFICATIONS 规格

CURRENT RATING 电流额定值: 2AMP
 CONTACT RESISTANCE 接触电阻值: 20mΩ Max
 INSULATION RESISTANCE 绝缘电阻值: 1000MΩ Min
 DIELECTRIC WITHSTAND 耐压值: 500V AC/minute
 OPERATION TEMPERATURE 工作温度: -40℃to+105℃
 CONTACT MATERIAL 端子材质: BRASS
 HOUSING MATERIAL 塑胶材质:
 STANDARD 标准物料: PA6T + 30%G.F.; UL 94V-0
 OPTIONS 可选物料: PA9T + 30%G.F.; UL 94V-0
 PLATING 电镀: Au or Sn Over 30u" Ni



SECTION A=A



Recommended PCB Layout

针长0.50*8.0

No. of PINS	Dimension Information	
	A	B
06	4.00	13.34
08	6.00	15.34
10	8.00	17.34
12	10.00	19.34
14	12.00	21.34
16	14.00	23.34
18	16.00	25.34
20	18.00	27.34
22	20.00	29.34
24	22.00	31.34
26	24.00	33.34
28	26.00	35.34
30	28.00	37.34
32	30.00	39.34
34	32.00	41.34
36	34.00	43.34
40	38.00	47.34
44	42.00	51.34
50	48.00	57.34
60	58.00	67.34
64	62.00	71.34
68	66.00	81.34

APPROVALS		DATE	TITLE:	
DRAWN	ZHIWEI.CHEN	2015.07.07	2.00mm Crimp Style Connector	
CHECKED			PART NO. GP23-2023WV-2XNP	
APPROVALS			SCALE: 1:1	
TOLERANCES ARE		ANGLE	UNIT: mm	PROJ:
30~以上	±0.30	±2°		
10~30	±0.20			
5~10	±0.15			
~ 5	±0.10			
ECN NO.	REV.	DATE.	DESCRIPTION.	CHANGE.
	A		NEW	

深圳市联丰电子有限公司
 SHENZHEN LINFENYING ELECTRONIC CO.,LTD